

Initialization of Exceptions

```
InstallHandler(SWITrap, Platform.SWI);  
InstallHandler( .... );  
.....
```

```
FOR i := 0 TO 7 DO  
    SYSTEM.PUT32(ExceptionVectorBase + 4*i,  
                0E59FF018H);  
END;
```



Fast IRQ Adr	4B
IRQ Adr	4B
Not assigned	4B
Data Abort Adr	4B
Prefetch Adr	4B
SWI Adr	4B
UNDEF Adr	4B
RESET Adr	4B
FIQ	4B
IRQ	4B
Not assigned	4B
Data Abort	4B
Prefetch Abort	4B
SWI	4B
UNDEF	4B
RESET	4B

Enable IRQs

```
VAR cpsr: LONGINT;
```

```
..
```

```
SYSTEM.STPSR(0, cpsr);
```

```
cpsr := SYSTEM.VAL(LONGINT, SYSTEM.VAL(SET, cpsr) - {7});
```

```
SYSTEM.LDPSR(0, cpsr)
```

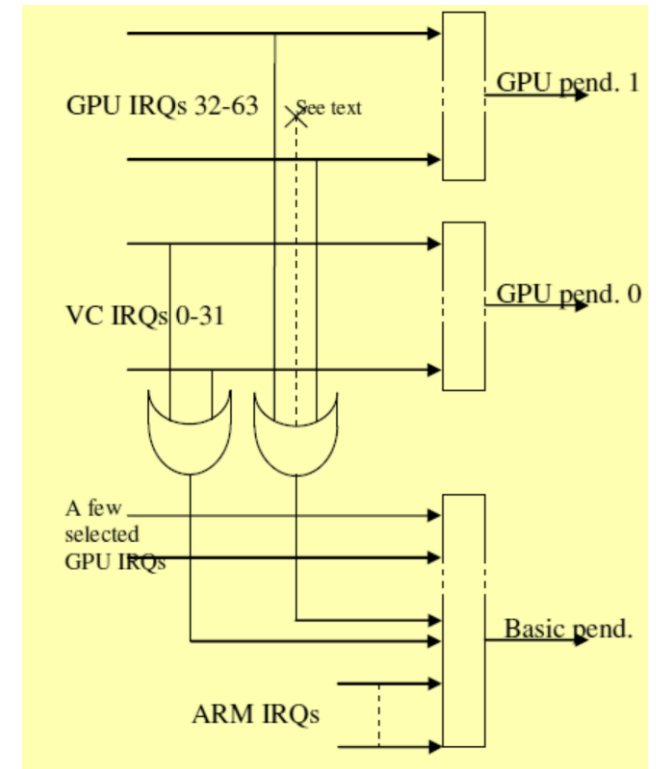
Install Timer

```
Platform.WriteWord(Platform.STC1,  
    Platform.ReadWord(Platform.STCLO)+Platform.TimerInterval);  
Platform.WriteBits (Platform.STCS, {1});  
nextTimerInterrupt := Platform.ReadWord(Platform.STC1);  
EnableIRQ(Platform.SystemTimerIRQ, TRUE);
```

Sets bit in IRQEnable registers
cf. BCM2835 ARM Peripherals document, chapter 7.

IRQ Trap Handler

```
PROCEDURE {INTERRUPT, PCOFFSET=4} IRQTrap;  
VAR i, j, spsr: LONGINT;  basicPending, pending1, pending2: SET;  
BEGIN  
    SYSTEM.STPSR( 1, spsr );    (* store SPSR *)  
    (* read pending bits *)  
    ...  
    (* disable corresponding device interrupts *)  
    ...  
    (* cf BCM2835 Manual, Section 7.5 *)  
    (* process pending bits and call irq handler*)  
    ...  
    SYSTEM.LDPSR( 1, spsr );  (* SPSR := old *)  
END IRQTrap;
```



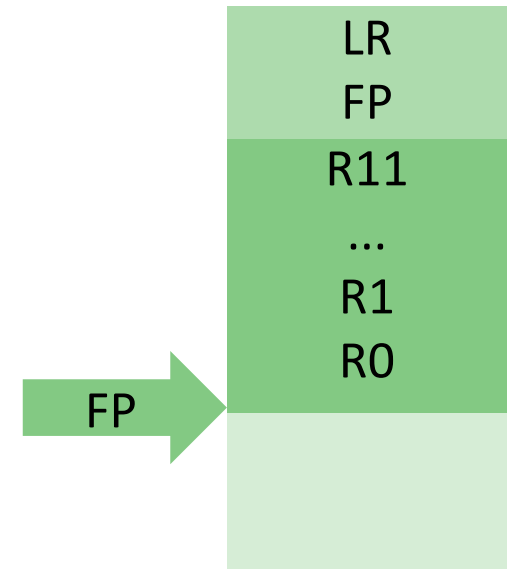
DataAbort handler

```
(*page fault*)
PROCEDURE {INTERRUPT, PCOFFSET=8} DataAbort;
VAR lnk, fp: LONGINT;
BEGIN
  (* The location that trapped was lnk - 8 *)
  lnk := SYSTEM.LNK - 8;
  fp := SYSTEM.FP;
  IF trapHandler # NIL THEN
    trapHandler(Platform.DataAbort, lnk, fp)
  ELSE
    (* diagnostics output and halt *)
  END
END DataAbort;
```

SWITrap handler

```
PROCEDURE {INTERRUPT, PCOFFSET=0} SWITrap;  
(* software interrupt (e.g. failed ASSERT) *)  
  VAR lnk, fp: LONGINT;  
BEGIN  
  (* The location that trapped was lnk - 4 *)  
  lnk := SYSTEM.LNK - 4;  
  fp := SYSTEM.FP;  
  IF trapHandler # NIL THEN  
    trapHandler(Platform.SWI, lnk, fp) (* stack trace *)  
  END  
END SWITrap;
```

SWI Stack



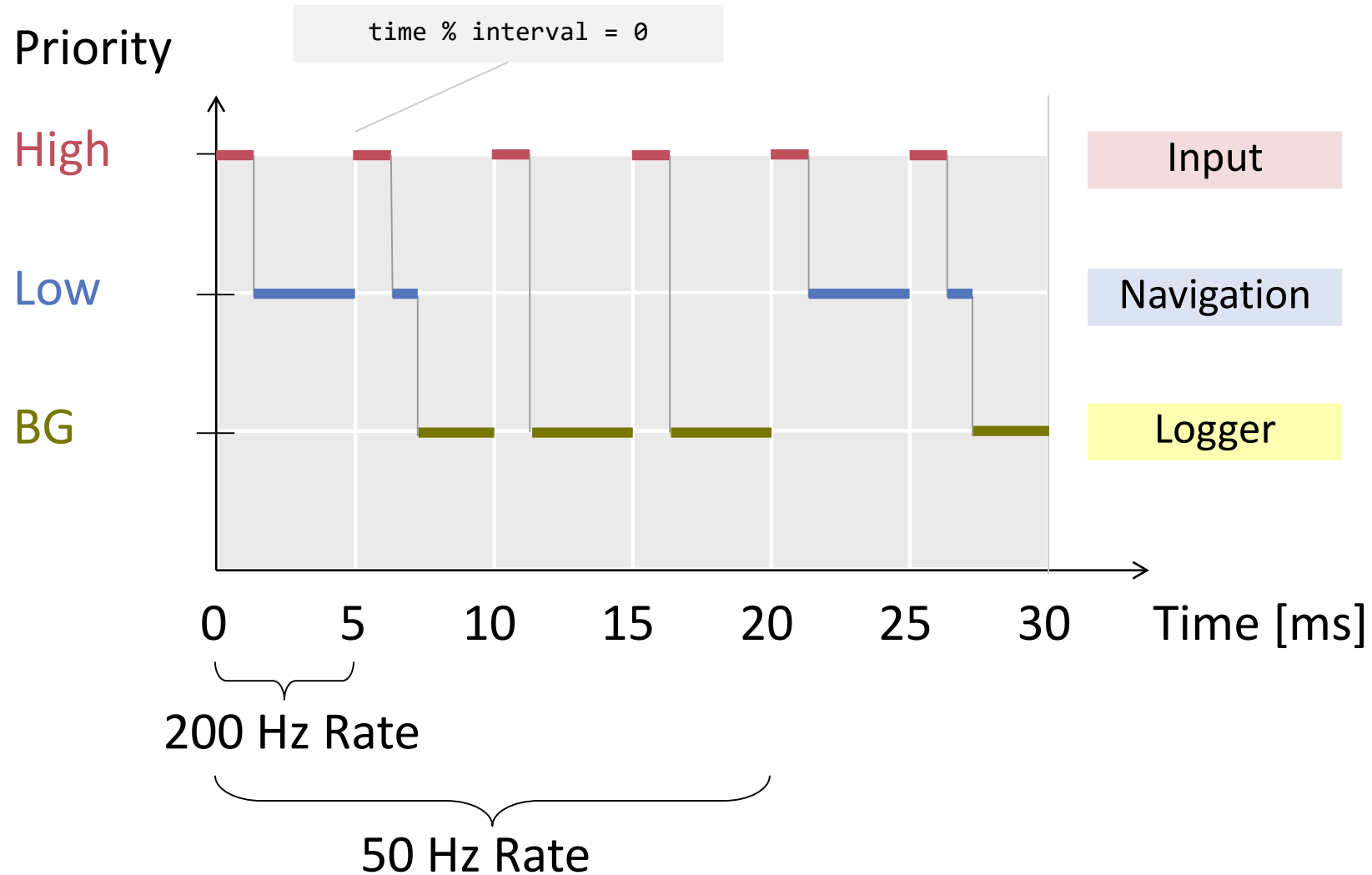
All registers are saved during entering the trap. Get the original FP (reg12) from the local stack and traverse the stack.

1.4. TASK SCHEDULING

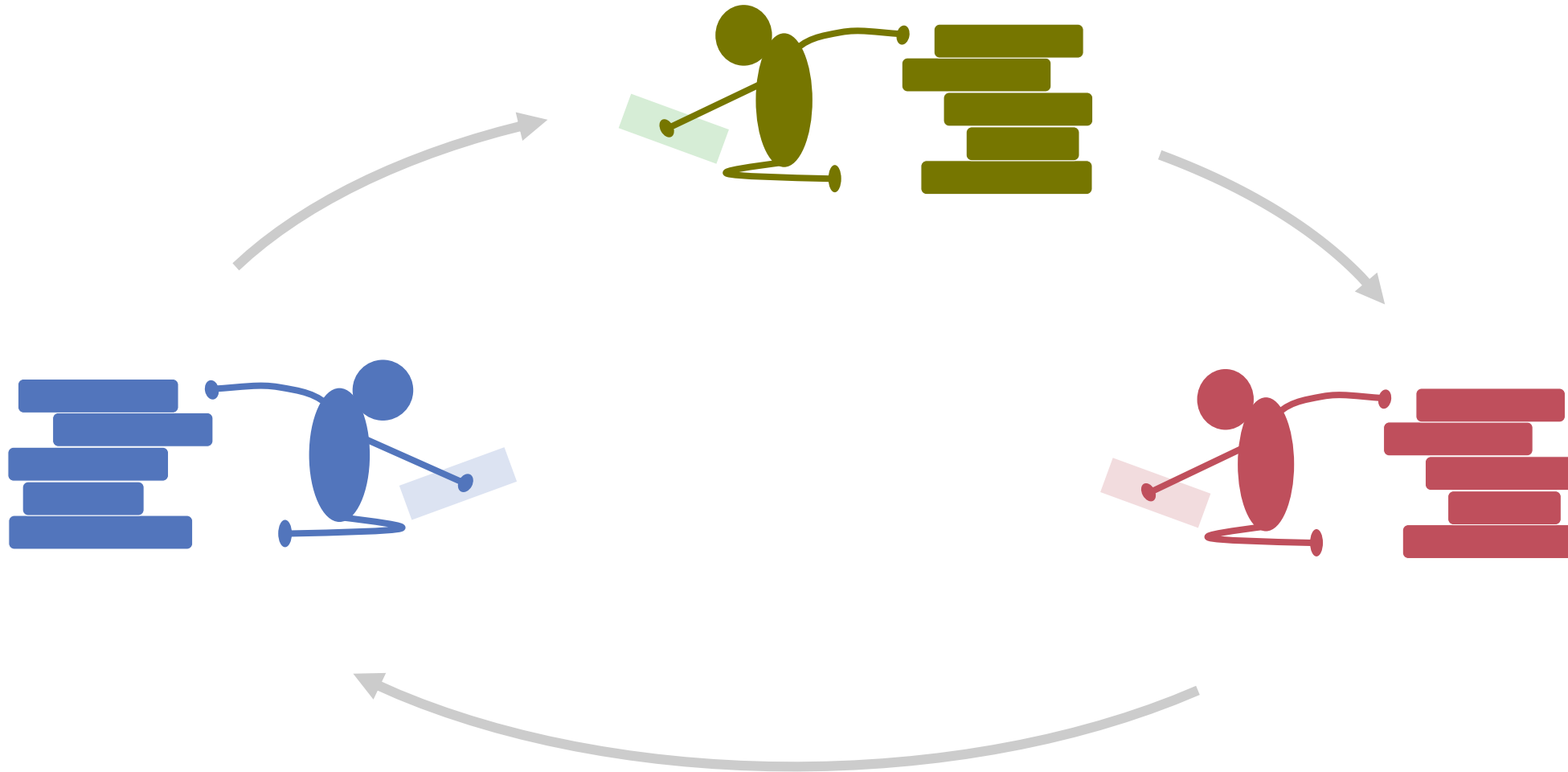
Scheduling Strategy

- Task types
 - High priority synchronous tasks (scheduled each 5 ms)
 - Low priority synchronous tasks (scheduled each 20 ms)
 - Background tasks
- Rules of preemption
 - High priority tasks preempt all others
 - Low priority tasks preempt background tasks
 - Background tasks don't preempt

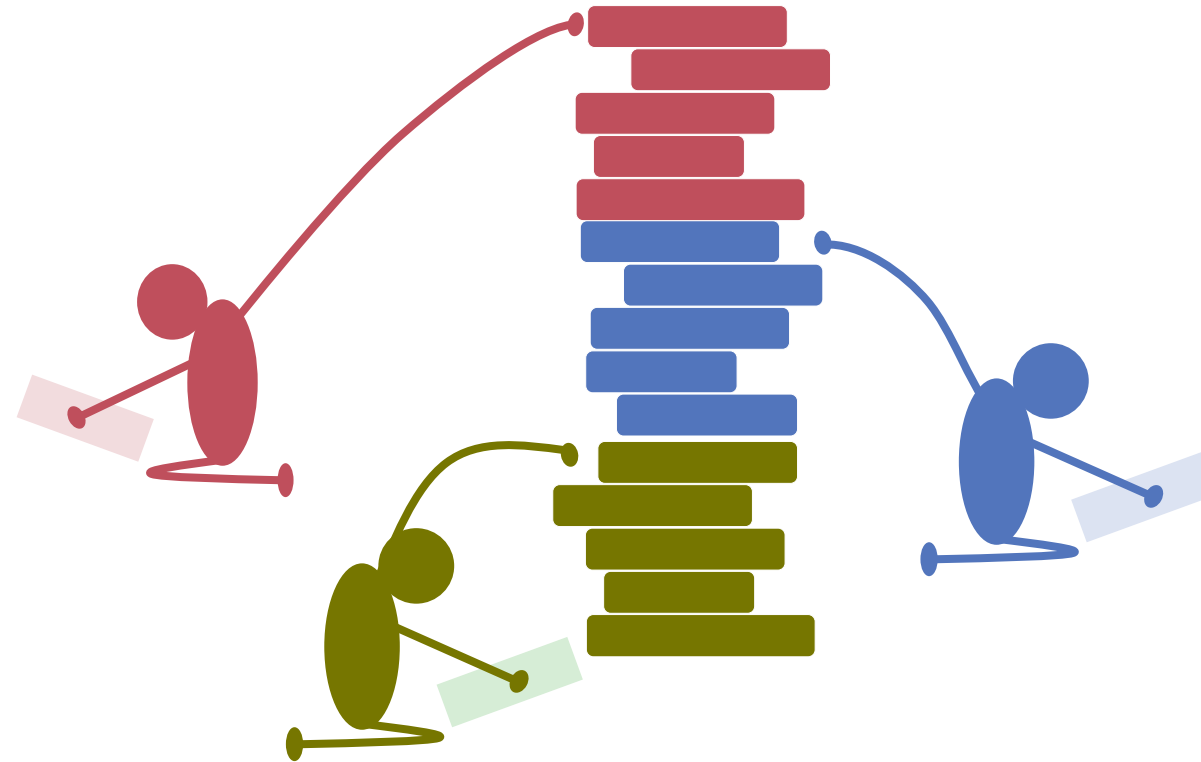
Scheduling Example



A Stack for each Process?

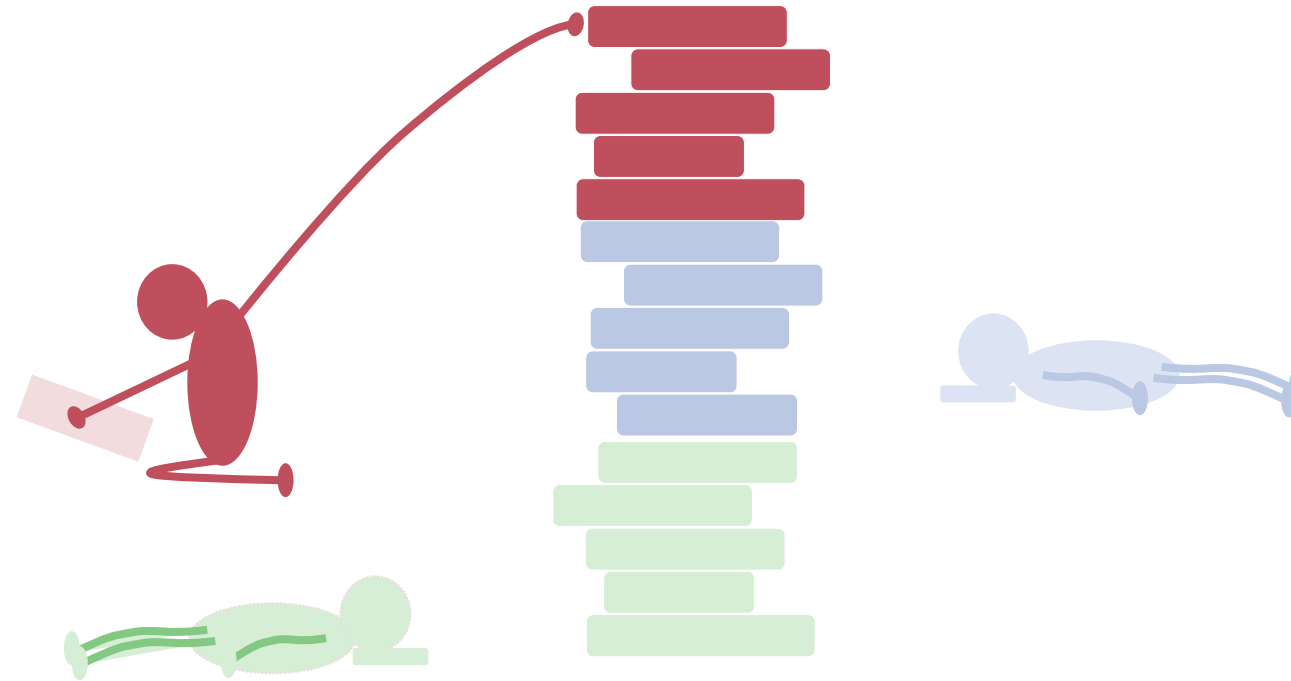


One Stack for All?

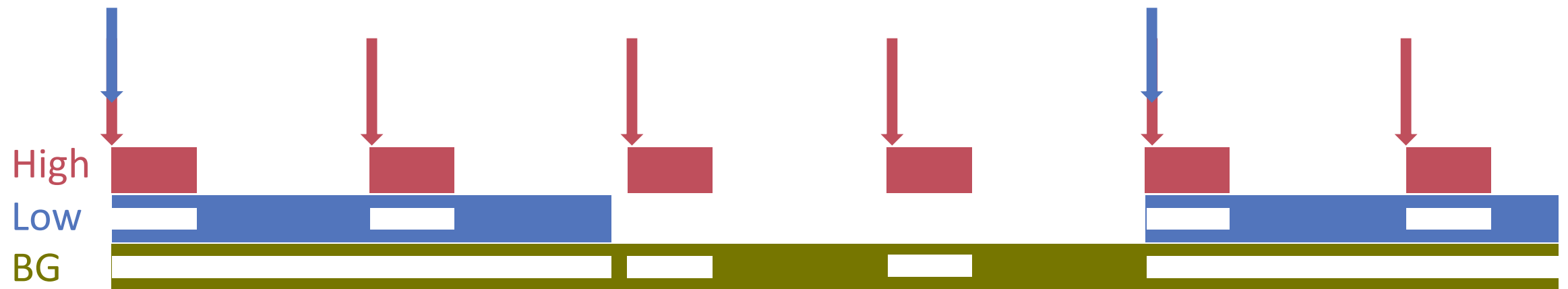


When, How ?

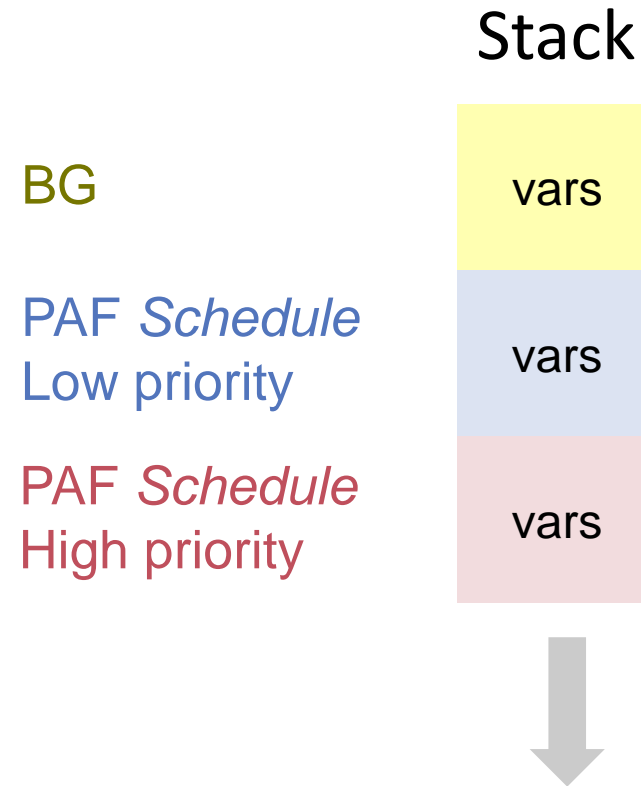
Run to completion!



Preemption



Stack Organisation



Where is the process context ?

Tasks

- Descriptors for *asynchronous* (background) tasks

```
Task* = POINTER TO TaskDesc;  
TaskDesc* = RECORD  
  next: Task;  
  proc: TaskCode;  
  name: ARRAY 32 OF CHAR;  
END;
```

PROCEDURE (me: Task)

- Descriptors for *synchronous* (periodic) tasks

```
PeriodicTaskDesc* = RECORD (TaskDesc)  
  interval: LONGINT;  
  subPriority: LONGINT;  
  nextTime: LONGINT;  
END;
```

Scheduler

- Recursive interrupt procedure

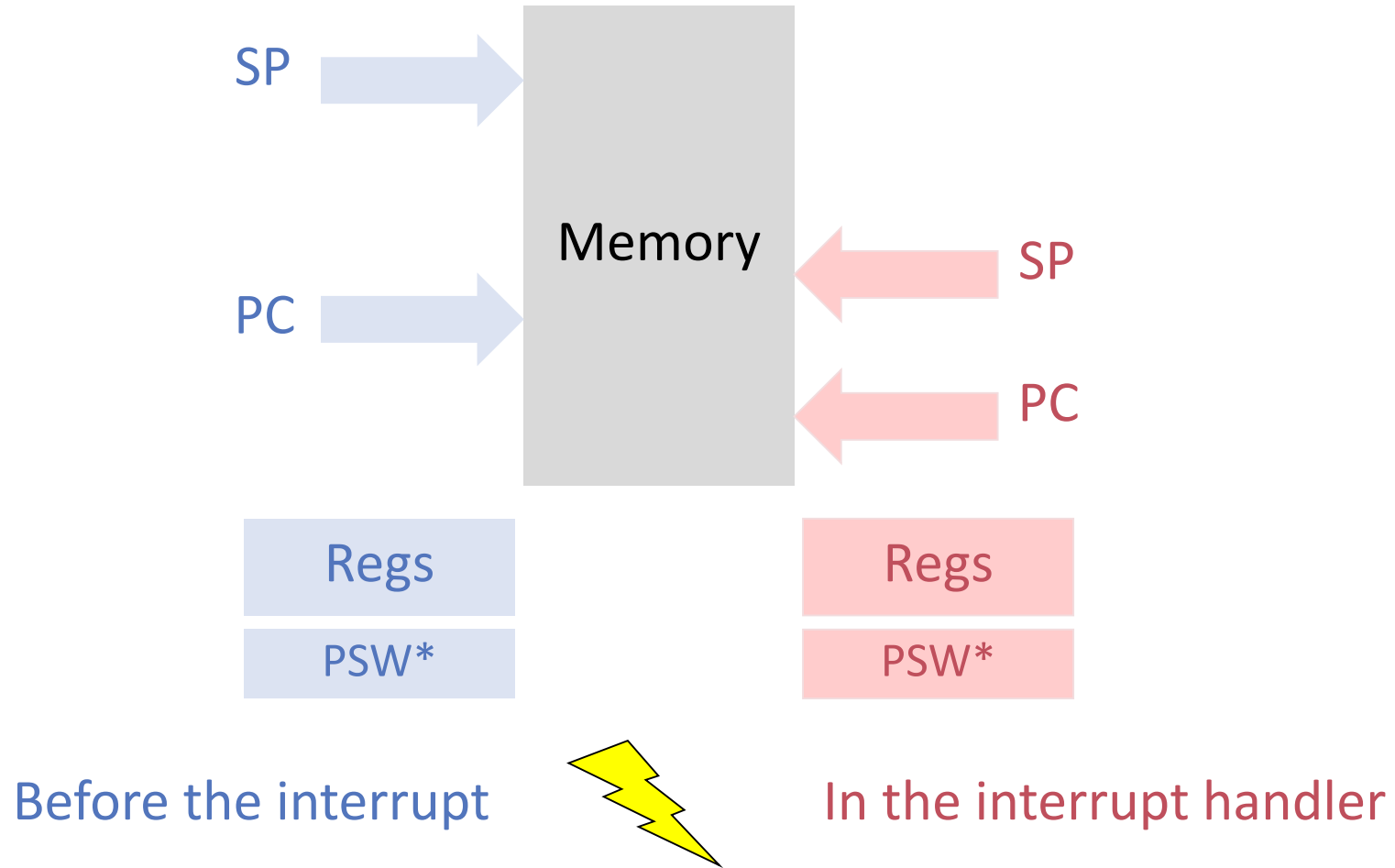
Prolog (Interrupts masked)

Scheduling (Interrupts allowed)

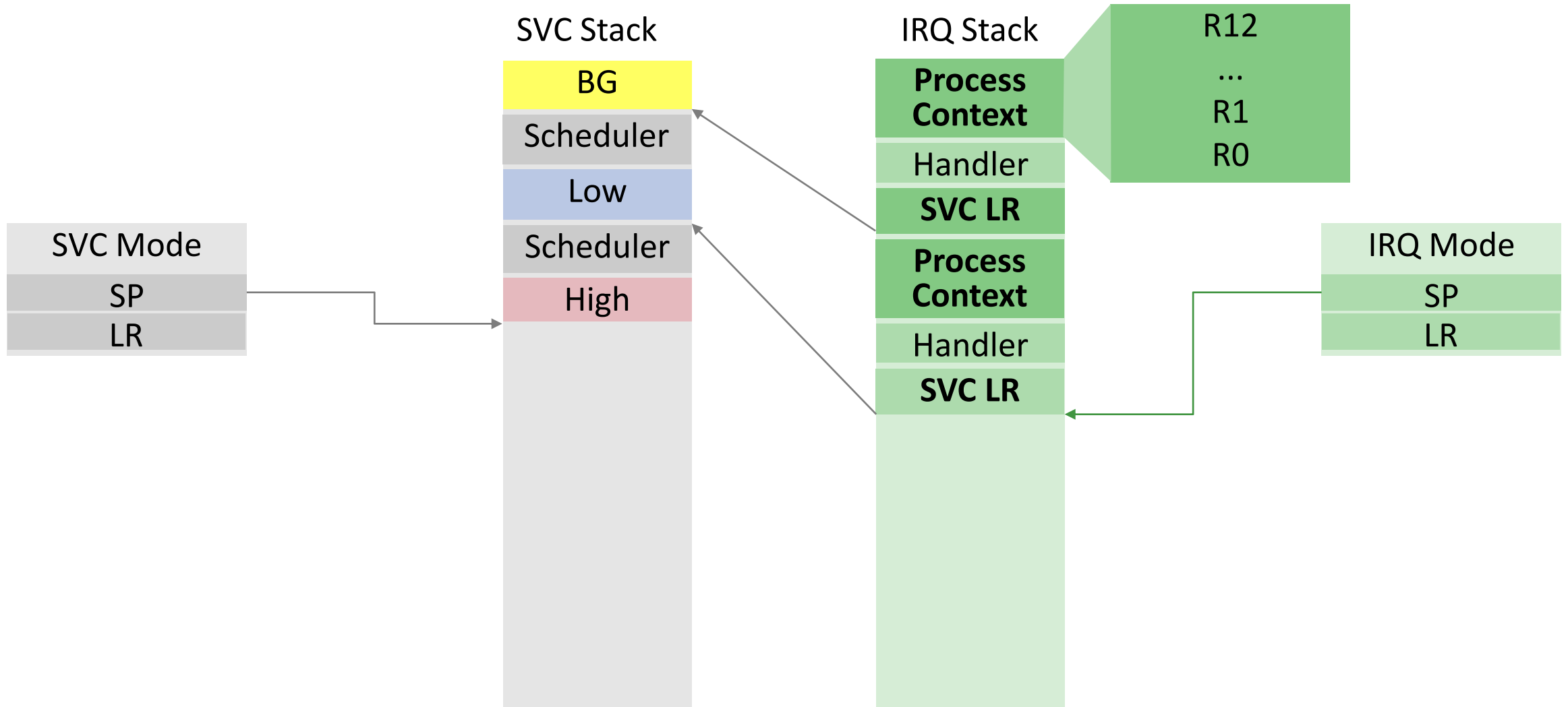
Epilog (Interrupts masked)

- Must be reentrant
 - Register values on stack
 - Private variables
- Assume that $\text{Interval}(\text{low})$ is a multiple of $\text{Interval}(\text{high})$

Context change, schematic



Process Context



Some tricks required ...

Kernel.TimerIrqHandler

```
VAR lr: INTEGER;
BEGIN
  INC( timer, Platform.UNIT );
  IF timerHandler # NIL THEN
    SYSTEM.LDPSR( 0, SVCMode + IRQDisabled );
    globalLR := SYSTEM.LNK();
    SYSTEM.LDPSR( 0, IRQMode + IRQDisabled );
    lr := globalLR;
    SYSTEM.LDPSR( 0, Platform.SVCMode );
    timerHandler;
    SYSTEM.LDPSR( 0, IRQMode + IRQDisabled );
    globalLR := lr;
    SYSTEM.LDPSR( 0, SVCMode + IRQDisabled );
    SYSTEM.SETLNK(globalLR);
    SYSTEM.LDPSR( 0, IRQMode + IRQDisabled );
  END;
END;
```

Switch to SVC mode, no IRQs

IRQ Stack

Process Context

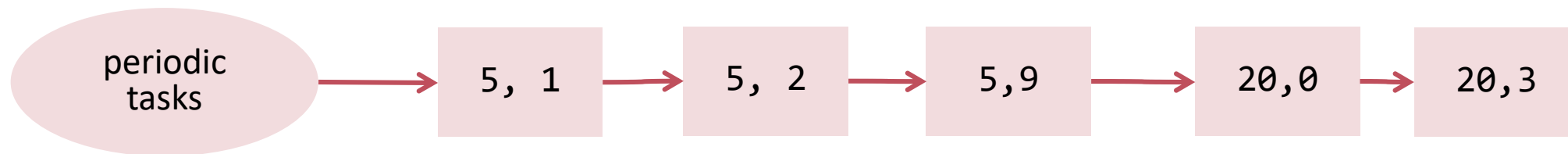
Handler

SVC LR

Scheduler Code

Assumptions:

- linked list stores tasks sorted by period / priority
- tasks run to completion within given period



Rate Monotonic Scheduling

Minos.Scheduler

```
currentTime := Kernel.GetTime();
current := periodicTasks;
WHILE current # NIL DO
    IF currentTime MOD current.interval = 0 THEN
        current.proc( current )
    END;
    current := current.next(PeriodicTask);
END;
```